

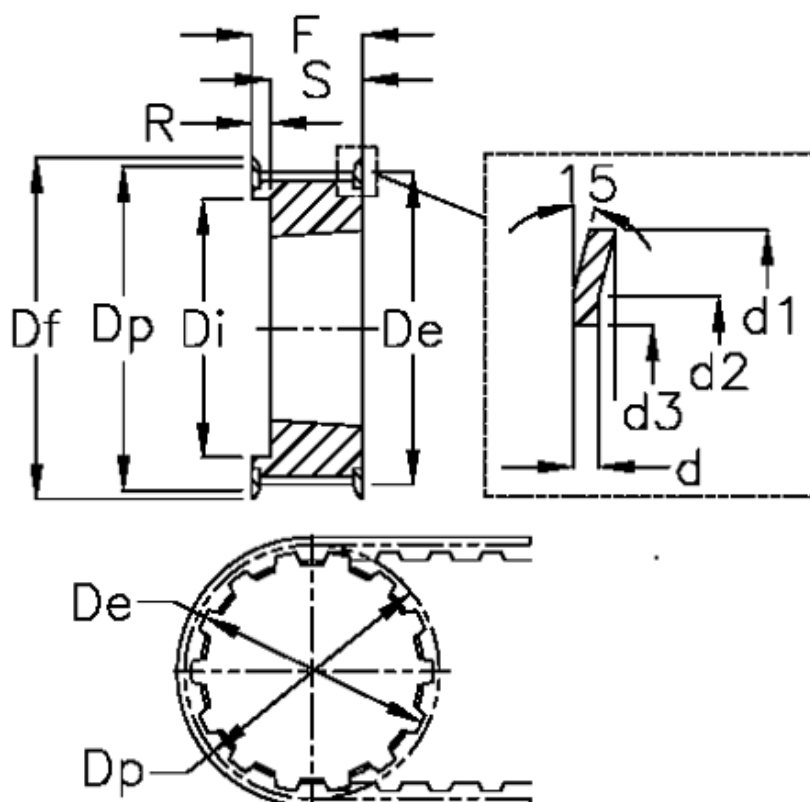
# Data Sheet



Article number: 604132038020

Description: Taper bored timing belt pulley  
HTD 38 8M 20 TL 1610

## Measures



$d = 1.5$	F = 28	Weight = 0.8
$d1 = 102$	Flange type = F34	Width = 20
$d2 = 97$	For bushing = 1610	
$d3 = 82.5$	Max bore = 42	
$De = 95.39$	r = 3	
$Df = 102$	S = 25	
$Di = 72$	Tooth number = 38	
$Dp = 96.77$	Type = 8M	